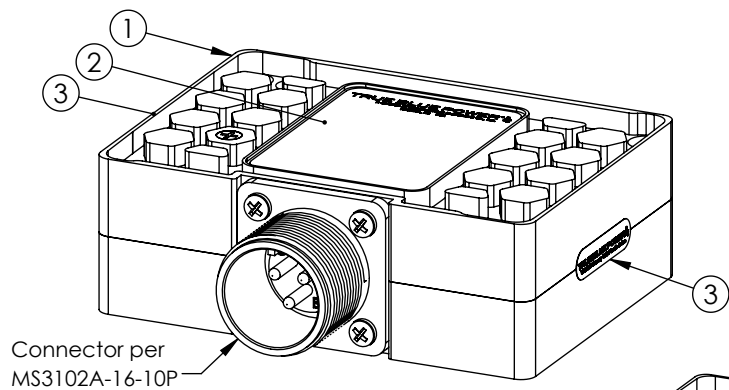
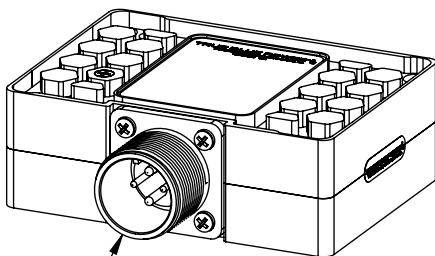


Configuration			
Dash #	Remote On/OFF	Connector Kit	Assy, TC240
-1	No	9018654	9018490-3
-2	Yes	9018655	9018490-4

Revision				
ECO	Rev.	Description	Date	Approved
		See obsolete drawing for revision history.		
7292	C	Updated weight and BOM table.	10/21/20	MEK/SCH
7300	D	Updated power input.	11/02/20	VAA/SCH
7497	E	Added CG dimensions. Power Output was 5-18 VDC.	06/08/22	VAA/MKN

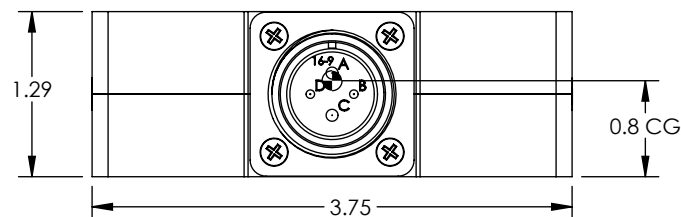
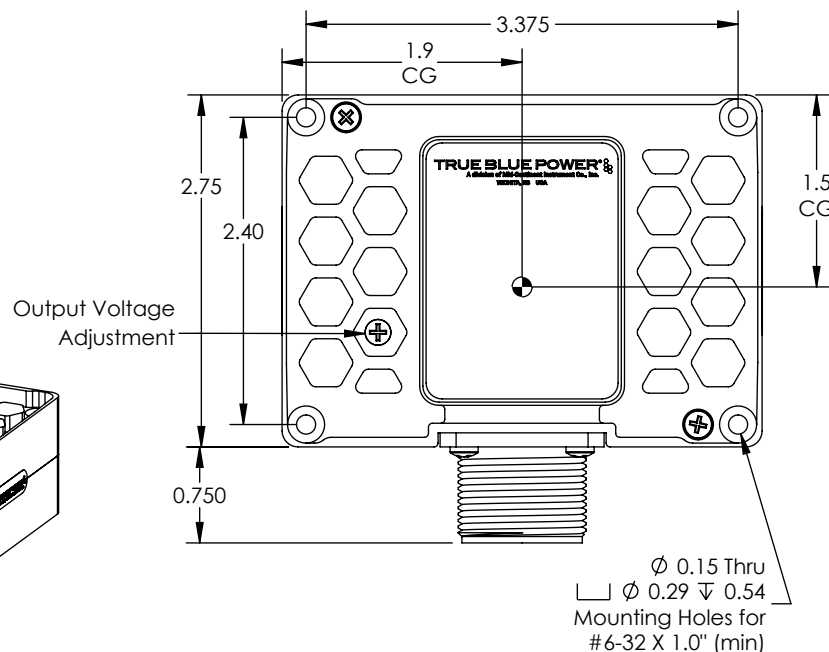


-1 Configuration



-2 Configuration

Connector Pinout		
Pin	-1 Config	-2 Config
A	DC Return	DC Return
B	DC Input	DC Input
C	VDC Output	VDC Output
D	N/A	Remote ON/OFF



Specifications	
Model Number	TC240
Power Input	24-32 VDC 10 Amps nominal @ 28VDC; 16 Amps max
Power Output	5-24 VDC (adjustable) 240 watts rated power 18 Amps @ 14V nominal
Efficiency	95%
Features	Short-circuit protection; reverse polarity protection; over-voltage protection;
Qualification	FAA TSO-C71 RTCA DO-160G (See Installation Manual)
Temperature	-55°C to +70°C
Mating Connector	See Config.
Case	Machined aluminum, blue anodized
Weight	11.0 oz (312g)
Install Manual	P/N 9018640

Item	Qty	Part Number	Description
1	1	See Config	Assy, TC240
2	1	9018491-1	Nameplate, TC240
3	2	6018956-1	Decal, Warranty, TBP

UNLESS OTHERWISE SPECIFIED, ALL DIMENSIONS ARE IN INCHES.
TOLERANCE:
.X= ±0.065
.XX= ±0.015
.XXX= ±0.005
.XXXX= ±0.002
ANGULAR= ±0.5°
WEIGHT N.T.E. +5%
BREAK ALL SHARP EDGES
THREADS PER MIL-S-7742

DRAWN:
VAA
04/25/2016

APPROVED:
BAW
05/25/2016

This document discloses proprietary information of Mid-Continent Instrument Co., Inc. It may be reproduced or disclosed only with written permission of Mid-Continent Instrument Co. and is not to be used in any way detrimental to the interests of Mid-Continent Instrument Co., Inc.

TRUE BLUE POWER
A division of Mid-Continent Instrument Co., Inc.

TITLE:
Converter, DC/DC, 240W
PART NUMBER:
6430240
SCALE: NONE DO NOT SCALE THIS DRAWING SHEET: 1 of 1